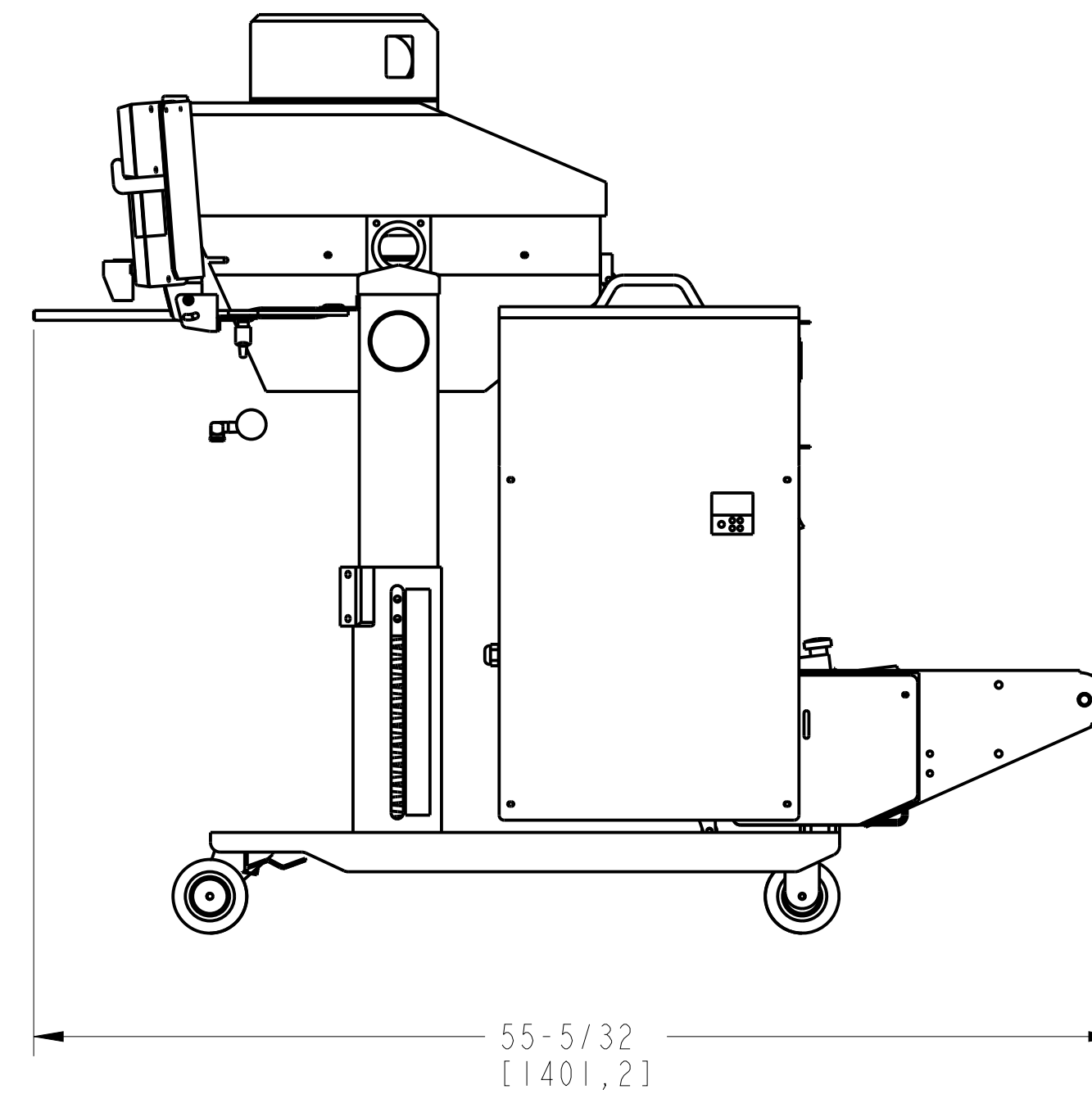
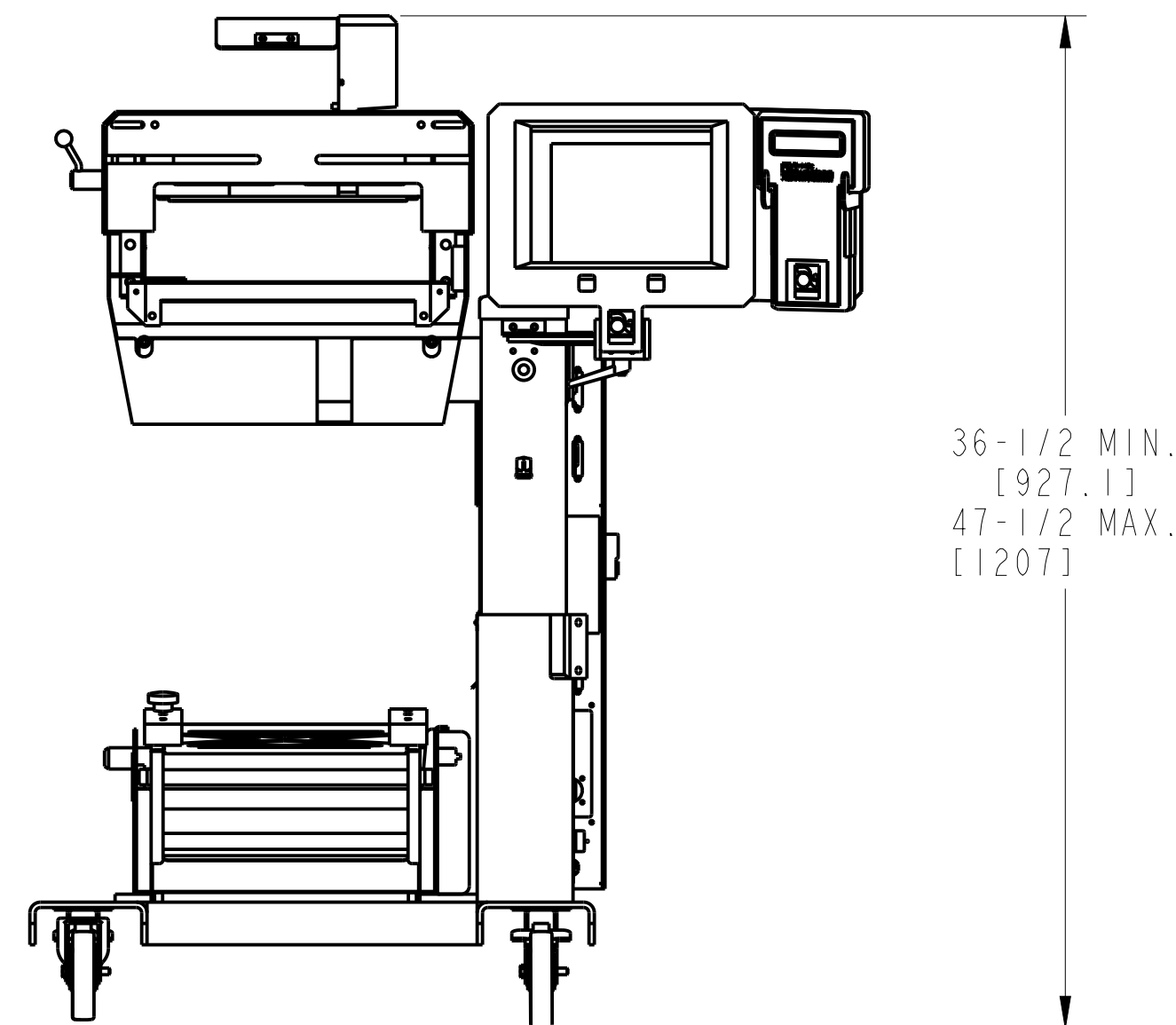
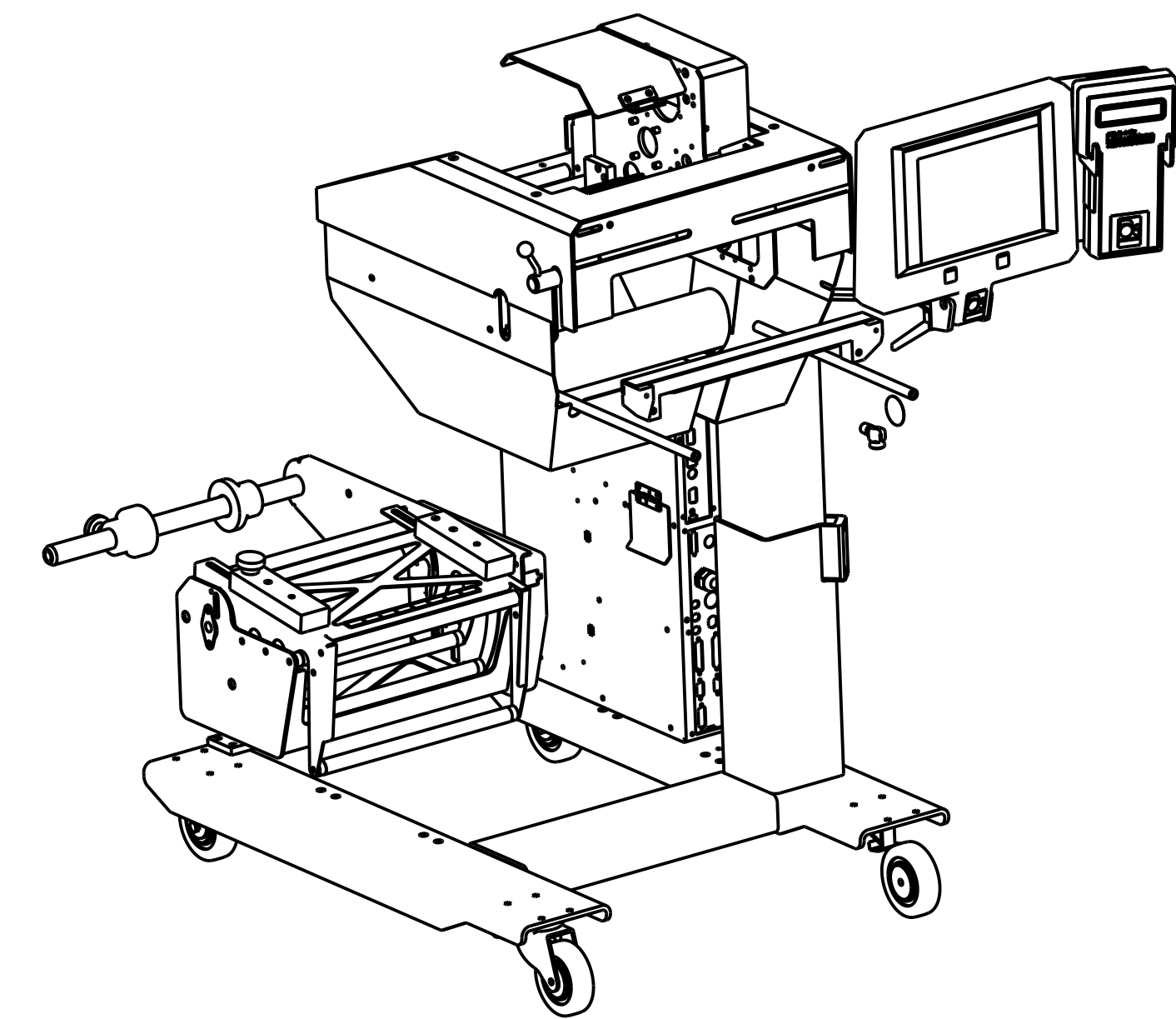
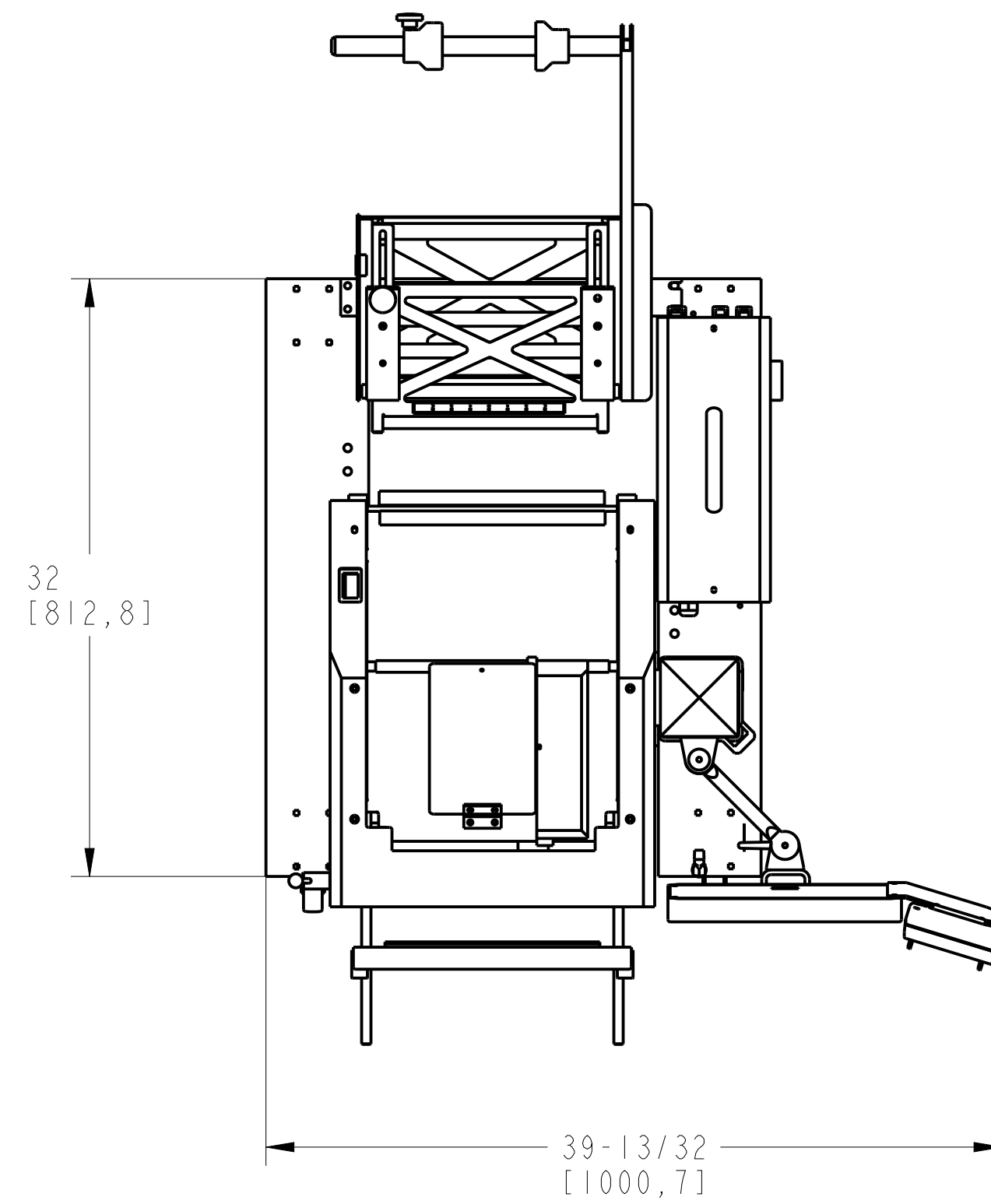


TECHNICAL SPECIFICATIONS - BAGGER:  
 - WEIGHT: 314 lbs [142kg] with AB 180  
 - ELECTRICAL: 110/230 VAC; 50/60 Hz; 12/6 AMPS  
 - AIR: 5 CFM@80 PSI [142 litre/min] CLEAN DRY AIR  
 - BAG SIZES: W 2 to 11 in. L 2.5 to 22 in.

TECHNICAL SPECIFICATION - PRINTER:  
 - LABEL SIZE: UP TO 4 IN WIDE [10 cm]  
 UP TO 20 IN LONG [50,8 cm]



Fabricated & Documented  
to be RoHS Compliant

FINISH	NONE
MATERIAL	
MACHINE SURFACES TO BE NO GREATER THAN 125 13,21 ✓ UNLESS OTHERWISE NOTED PART MUST BE FREE OF BURRS AND SHARP EDGES	
TOLERANCE	INCHES mm
1 PLACE DIMS	±.01 ±.25
2 PLACE DIMS	±.02 ±.51
3 PLACE DIMS	±.005 ±.10
ANGLES	± 1/2°
NOTICE: THIS DOCUMENT CONTAINS PROPRIETARY INFORMATION AND IT SHALL NOT BE USED OR REPRODUCED OR ITS CONTENT DISCLOSED, IN WHOLE OR PART, WITHOUT THE PRIOR WRITTEN CONSENT OF AUTOMATED PACKAGING SYSTEMS INC.	
INCH [MM]	THIRD ANGLE PROJECTION

REV	BY	DATE	ECN	DESCRIPTION
A	RCK	03/23/16	463	DRAWING FORMAT UPDATE, ADD TECHNICAL SPECIFICATIONS

**Automated PACKAGING SYSTEMS**  
 10175 PHILIPP PARKWAY · STREETSBORO, OH 44241

DRAWING SIZE	SCALE	DRAWN BY	BOM REFERENCE NUMBER
D	1/8	RCK	
TITLE	ASS'Y AB180 ONE STEP	DATE	03/03/16
DRAWING NO.	FP215	SHEET 1 OF 1	REV A